

The background of the entire page is a blue-tinted image of a space station or satellite in orbit. Overlaid on this are several white and yellow circuit-like lines that start from the left edge and branch out towards the center and bottom of the page. The word "Accessories" is written in a white, sans-serif font, positioned in the lower right quadrant of the page, with a yellow horizontal line extending to the right from its base.

Accessories

Accessories

They have been qualified on the Ariane 5, Automatic Transfer Vehicle programmes and several satellites (Spacebus 4000, Eurostar 3000...).

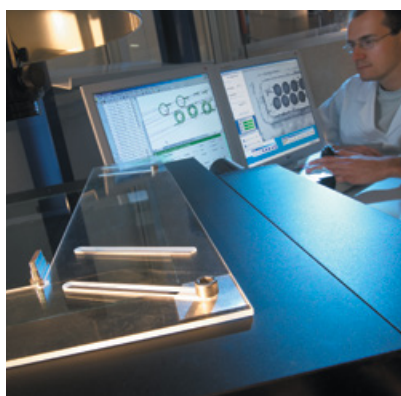
CONNECTOR BACKSHELLS

Backshells are used to protect the EMI performance of the assembly which could decrease with a poor quality EMI link. They also bring mechanical protection to the terminations. AXON' backshells can be placed behind circular connectors including MIL-C-38999 connectors or behind rectangular connectors including D-Sub connectors.

AXON' designs backshells not only for its own cables but also for your specific requirements. Some of our D-Sub backshells, specially adapted to databus cables entry, have been designed to be mounted inside MIL-STD-1553 networks. Different shell sizes are available: from 9 ways (size E) to 50 ways (size D) with one or two cable entries or with a more complex construction if required. The funnel allows different shield terminations including hexagonal crimping or AXOCLAMP® band. The use of backshells is strongly recommended to have good shield coverage as requested by the MIL-STD-1553 standard.

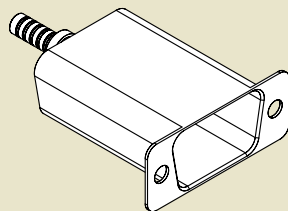
For your specific requirements, AXON' can adapt, for example, the size of the funnel, the orientation of the funnel and the cabling room length. The cable entry can be axial or have a transverse angle of 90° or 45°. The diameter of the cable entry can be adapted to the cable to be used.

AXON' lightweight backshells are made with solid fully machined aluminium alloy with gold plating over nickel in compliance with MIL-G-45204 or other relevant plating requirements. They are non magnetic. Some Micro-D backshells have also been designed by our engineers. AXON' has a complete range of Micro-D connectors with standard or custom designed versions. Please, ask for our brochure.

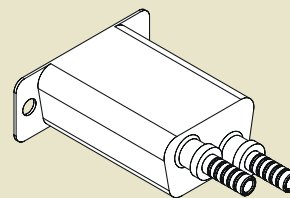


RHEOLOGY LABORATORY

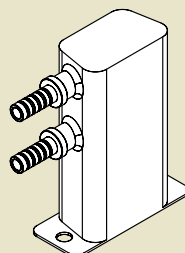
D-SUB BACKSHELL
1 AXIAL CABLE ENTRIES



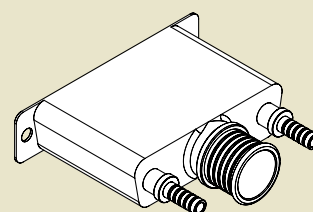
D-SUB BACKSHELL
2 AXIAL CABLE ENTRIES

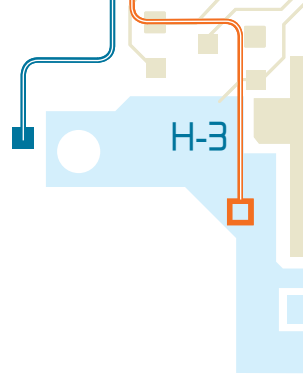


D-SUB BACKSHELL
2 TRANSVERSE CABLE ENTRIES



2 DATABUS CABLE ENTRIES
WITH A BIGGER CABLE ENTRY





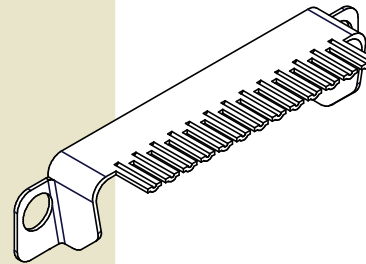
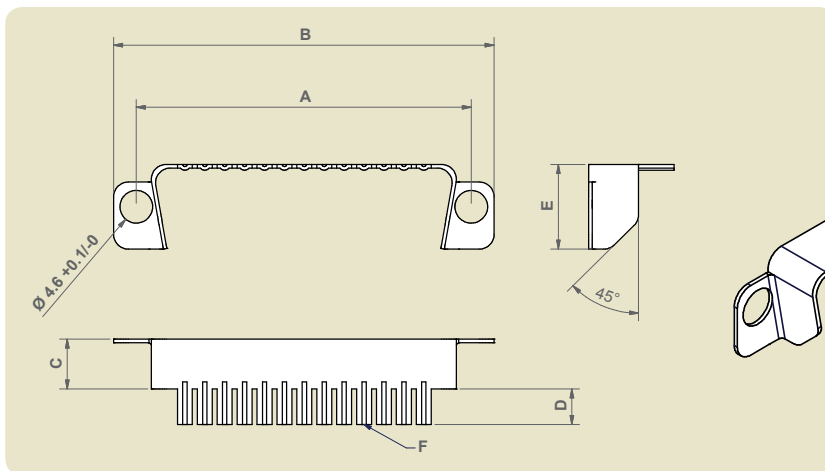
D-SUB OR MICRO-D HALORINGS

In order to facilitate the shield grounding of a cable made with several shielded wires, pairs or cables, AXON' recommends the use of **halorings**. These accessories are directly connected between the D-Sub connector and the backshell. The braid of the shielded wires is soldered onto the individual tines of the silver plated comb (F). This technology gives a very good electrical contact and saves time.



The halorings are made of copper alloy (brass) with silver plating. They are qualified according to UNS C27000 & AMS 2410 test methods.

HALORING FOR D-SUB CONNECTOR

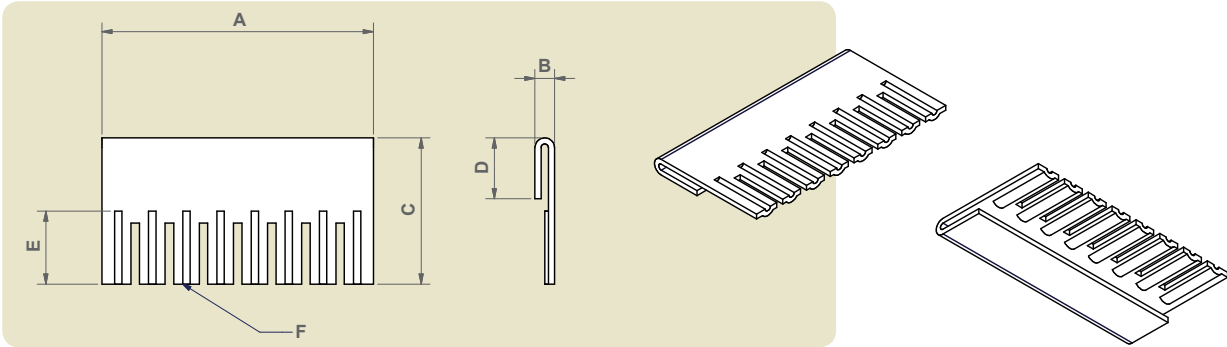


DESIGNATION	SINGLE HALORING PART NUMBER	DIMENSIONS (mm)						SIZE OF CONNECTOR
		A	B	C	D	E	F (*)	
D-SUB HALORING E	HALORING 040475 A	25.1	31.26	7	5	11.91	5	E
D-SUB HALORING A	HALORING 040476 A	33.4	39.55	7	5	11.91	8	A
D-SUB HALORING B	HALORING 040477 A	47.1	53.51	7	5	11.91	13	B
D-SUB HALORING C	HALORING 040478 A	63.5	69.7	7	5	11.91	17	C
D-SUB HALORING D	HALORING 040479 A	61.0	67.31	7	5	14.45	17	D
D-SUB HALORING F	HALORING 040630 A	63.5	69.71	7	5	14.45	17	F

(*) Number of tines = number of braids that can be soldered



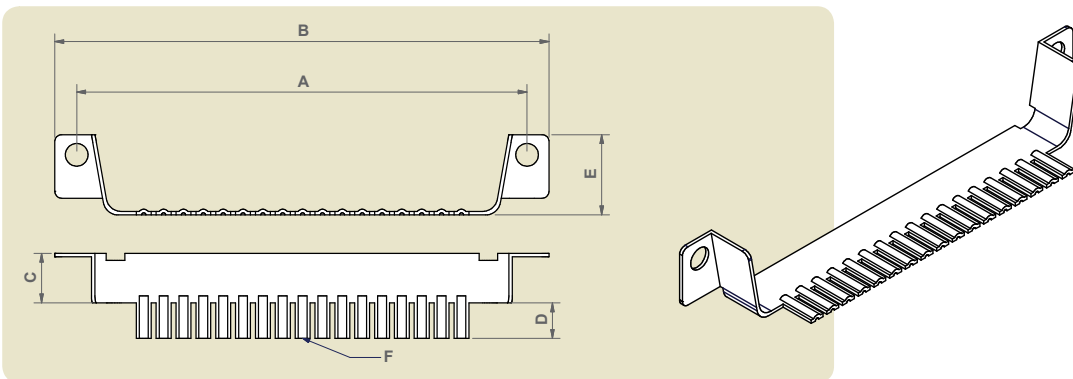
BACKSHELL HALORING FOR D-SUB CONNECTOR (**)



DESIGNATION	SINGLE HALORING PART NUMBER	DIMENSIONS (mm)						SIZE OF CONNECTOR
		A	B	C	D	E	F (*)	
BACKSHELL HALORING E	HALORING 040486 A	14.64	1.6	12	5	6	5	E
BACKSHELL HALORING A	HALORING 040487 A	22.26	1.6	12	5	6	8	A
BACKSHELL HALORING B	HALORING 040488 A	34.96	1.6	12	5	6	13	B
BACKSHELL HALORING C	HALORING 040489 A	47.46	1.6	12	5	6	17	C
BACKSHELL HALORING D	HALORING 040489 A	47.46	1.6	12	5	6	17	D

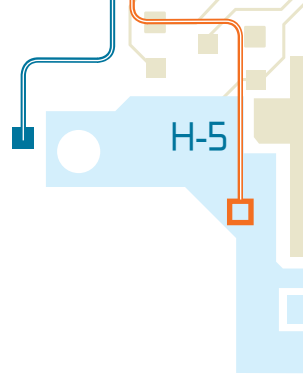
(*) Number of tines = number of braids that can be soldered
 (**) This haloring can be adapted to other rectangular connector types

REVERSED HALORING FOR D-SUB CONNECTOR

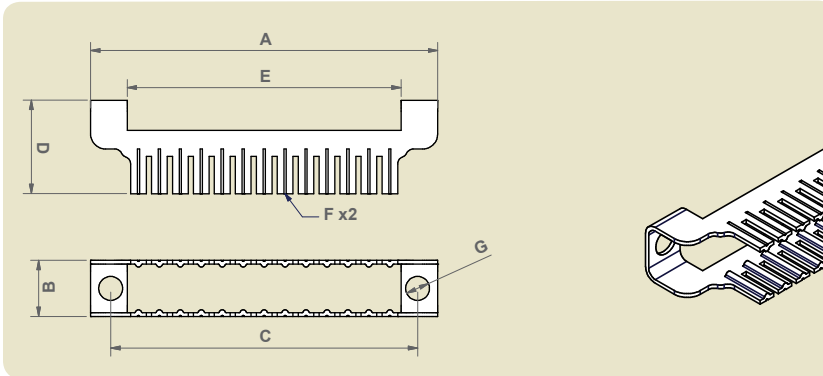


DESIGNATION	SINGLE HALORING PART NUMBER	DIMENSIONS (mm)						SIZE OF CONNECTOR
		A	B	C	D	E	F (*)	
REVERSED HALORING F	HALORING 041035 A	63.51	69.68	7	5	11.32	17	F

(*) Number of tines = number of braids that can be soldered



HALORING FOR MICRO-D CONNECTOR



DESIGNATION	SINGLE HALORING PART NUMBER		DIMENSIONS (mm)						SIZE OF CONNECTOR
	G=2.4	G=3.2	A	B	C	D	E	F (*)	
MICRO-D HALORING 9	HALORING 040773 A	HALORING 041701 A	19.22	7.5	14.35	12	10.22	4	9
MICRO-D HALORING 15	HALORING 040774 A	HALORING 041702 A	23.03	7.5	18.16	12	14.03	5	15
MICRO-D HALORING 21	HALORING 040771 A	HALORING 041712 A	26.84	7.5	21.97	12	17.84	6	21
MICRO-D HALORING 25	HALORING 040775 A	HALORING 041667 A	29.38	7.5	24.51	12	20.38	8	25
MICRO-D HALORING 31	HALORING 040776 A	HALORING 041713 A	33.19	7.5	28.32	12	24.19	10	31
MICRO-D HALORING 37	HALORING 040633 A	HALORING 041703 A	37	7.5	32.13	12	28	10	37
MICRO-D HALORING 51	HALORING 040777 A	HALORING 041537 A	35.8	8.5	30.86	12	27	10	51

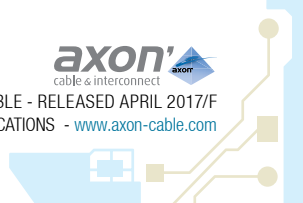
(*) Number of tines = number of braids that can be soldered

HARDWARE COMMON TO ALL SIZES

Hex socket hardware: MAHM 505304132 A

Slotted head hardware: MAHM 505304133 A

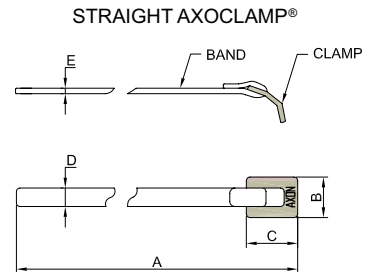
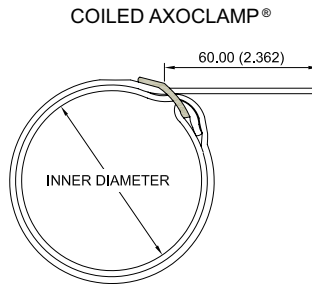
U-Clip: MAHM 001304131 A



AXOCLAMP® EMI Band termination system

TYPE AX CL xx

Shielding termination for connectors can be carried out on 360° with a patented metal band called AXOCLAMP®. This ensures the continuity of shielding efficiency at the cable/connector junction.



Dimensions are in millimetres (inches)

IDENTIFICATION CODE

AX CL	01
AXOCLAMP®	BAND TYPES 01: STANDARD 02: MICROBAND DOUBLE WRAPPED 03: MICROBAND DOUBLE WRAPPED

The standard version is coiled but straight AXOCLAMP® can be delivered on request (reference example AXCL03D). Minimum quantity: 100 pieces per reference.

DIMENSIONS

Dimensions are in millimetres (inches)

SPECIFICATIONS	AXOCLAMP® STANDARD	AXOCLAMP® MICROBAND	
REFERENCE	AXCL 01	AXCL 02	AXCL 03
DIMENSION A	375 (14.764)	375 (14.764)	200 (7.874)
DIMENSION B	9 (.364)	5.5 (.217)	5.2 (.205)
DIMENSION C	10 (.394)	8 (.315)	5.5 (.217)
DIMENSION D	5.9 (.232)	3.5 (.138)	3 (.118)
DIMENSION E	0.5 (.020)	0.5 (.020)	0.35 (.014)
MINIMUM DIAMETER*	10 (.394)	5 (.197)	5 (.197)
MAXIMUM DIAMETER*	40 (1.575)	15 (.591)	15 (.591)

* Minimum and maximum diameter of the backshell funnel on which the AXOCLAMP® can be mounted.

BANDING TOOLS

	MANUAL HAND TOOL	CLAMPING VALUES	PNEUMATIC CLAMPING TOOL	RECOMMENDED BANDING VALUES*	CALIBRATION DEVICE
AXOCLAMP® AX CL 01	A40199	100-180 LBS	A35199	160	A 50099
AXOCLAMP® AX CL 02	A40199	100-180 LBS	A35199	125	A 50099
AXOCLAMP® AX CL 03	A30199	60-100 LBS	A35599	90	A 50099

* Banding values are given for information only.